

**PAN MIXER LINERS**

**- PAN LINER DIMENSION DATA SHEET**



TANDEM PRODUCTS 3444 DIGHT AVE S., MPLS MN 55405  
 PH: 1-800-533-0509 FAX: 612-721-1009

DATE: \_\_\_\_\_

CUSTOMER: \_\_\_\_\_

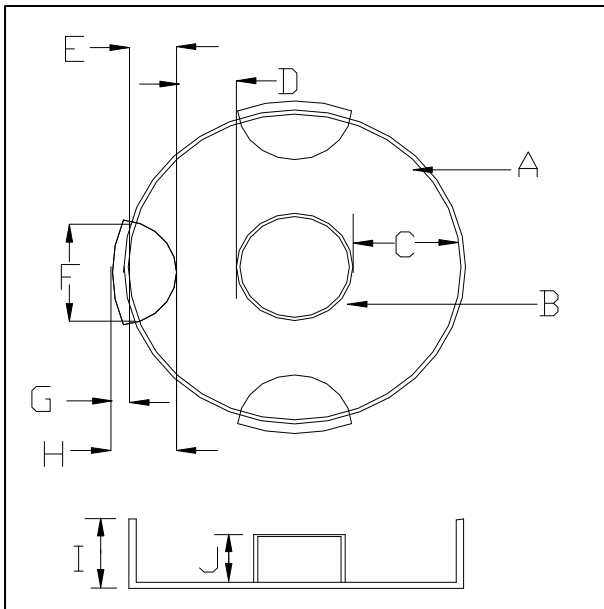
ADDRESS: \_\_\_\_\_

PHONE: \_\_\_\_\_ STATE: \_\_\_\_\_

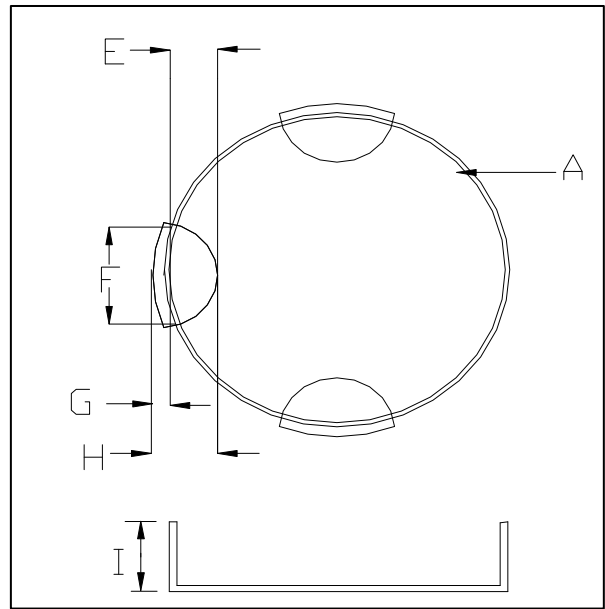
CITY: \_\_\_\_\_ ZIP: \_\_\_\_\_

MIXER MANUFACTURER: _____	MODEL: _____	# OF DOORS & POSITION: _____	<input type="checkbox"/> 90° <input type="checkbox"/> 180° <input type="checkbox"/> other
CURRENT LINER (AR / NIHARD): _____	<input type="checkbox"/> BOLTED <input type="checkbox"/> WELDED	LINER LIFE (MONTHS): _____	BATCHES PER DAY (AVG.): _____
MOISTURE SENSOR # & LOCATIONS: _____	<input type="checkbox"/> FLOOR <input type="checkbox"/> WALLS	SIDE SCRAPER ADJUSTABILITY: _____	VERT. SHOE / ARM ADJUSTABILITY: _____

DOOR OPENINGS CAN BE TORCHED TO 1-1/8" HEIGHT :  YES  NO - EXPLAIN: \_\_\_\_\_



**CENTER HUB PAN MIXER**



**CONCENTRIC PAN MIXER**

- |                                     |                                       |
|-------------------------------------|---------------------------------------|
| <b>A</b> _____<br>OUTER WALL DIA.   | <b>F</b> _____<br>DOOR CORD LGTH      |
| <b>B</b> _____<br>CENTER DIA.       | <b>G</b> _____<br>PIVOT TO WALL       |
| <b>C</b> _____<br>WALL TO WALL      | <b>H</b> _____<br>PIVOT TO DOOR EDGE  |
| <b>D</b> _____<br>DOOR TO CTR       | <b>I</b> _____<br>WALL HEIGHT (OUTER) |
| <b>E</b> _____<br>WALL TO DOOR EDGE | <b>J</b> _____<br>WALL HEIGHT (INNER) |

- |                                     |                                       |
|-------------------------------------|---------------------------------------|
| <b>A</b> _____<br>OUTER WALL DIA.   | <b>G</b> _____<br>PIVOT TO WALL       |
| <b>E</b> _____<br>WALL TO DOOR EDGE | <b>H</b> _____<br>PIVOT TO DOOR EDGE  |
| <b>F</b> _____<br>DOOR CORD LGTH    | <b>I</b> _____<br>WALL HEIGHT (OUTER) |